

E500RM8-4E

5" ARM A53 Rugged Handheld Computer



KEY FEATURES

- A53- Octa Core 1.3GHz
- 5" 1280 x 720 Resolution
- Support NFC function
- IP65 waterproof and dustproof
- Rated for extreme temperature use
- Optional 1D/2D Barcode Reader and Fingerprint Reader for data collection

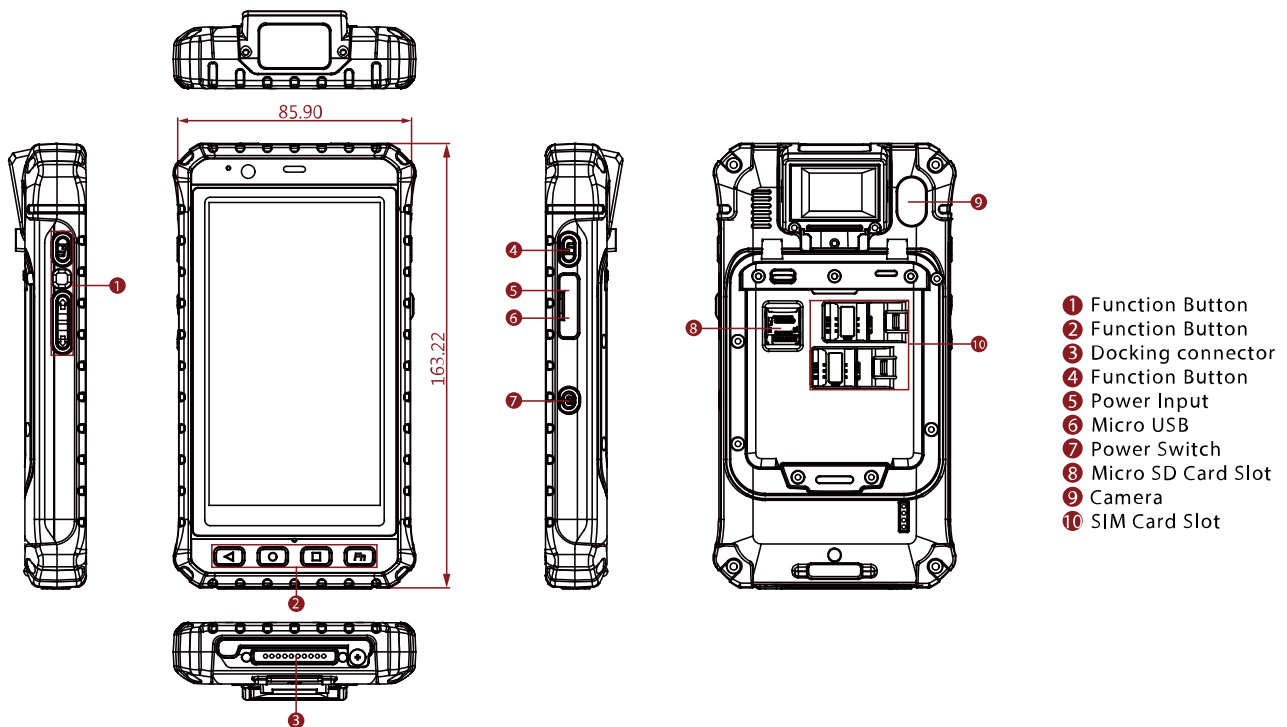


SPECIFICATIONS

Display	
Resolution	1280x720
Contrast Ratio	800:1
View Angles	80,80,80,80
Touch Mode	Support Hand / Gloves and Rain Mode
Size	5.0 inches
Panel Brightness	500 nits
Type	Projected Capacitive Multi Touch
Bonding	Optical Bonding for Sunlight Viewability
System Specification	
Processor	ARM A53 (Octa-Core 1.3 GHz)
Storage	16GB
WLAN	802.11 a/b/g/n mode
WWAN	4G/LTE
RFID	Default NFC (Read / Write, Peer to Peer mode)
Memory	2GB
Smart Card Reader	ISO7816 Part 1.2.3 Smart Card Reader (Optional)
Operating System	Android 7.0
BT	BT Support
GNSS	GPS/AGPS
Sensors	Ambient Light Sensor, E-Compass, Gyro, Acceleration Sensors, Automatic Screen Rotation
Fingerprint Scanner	Fingerprint Reader (Optional)
Camera	
Front Camera	2MP Camera
Rear Camera	8MP Camera with LED Auxiliary Light (Auto Focus)
Mechanical	
Dimension	85.9 x 163.2 x 22.5 mm
Weight	315g
IO Ports	
USB Port	1 x Micro USB OTG
SD Card Slot	1 x Micro SD Card Slot
SIM Card Slot	2 x SIM Card Slot
Audio	1 x Audio Combo connector (Mic in or Line Out) 2 x Built-in Mic 1 x Speaker 1 x Receiver
Indicator	1 x LED Indicators (Power, Battery)
Docking Connector	1 x Docking Connector
Environment	
Operating Humidity	5% to 95% RH, Non-Condensing
Operating Temperature	-10°C to 50°C (Battery mode)
Storage Temperature	-30°C to 70°C
Shock	MIL-STD-810G Method 516.6 Procedure I
Vibration	MIL-STD-810G Method 514.6 Procedure I
IP rating	IP65 Certified, Waterproof and Dustproof

Drop	MIL-STD-810G Method 516.6, 5 ft		
Certification			
Certification	CE, FCC		
Control			
Button	1 x Volume +/-, 1 x Power Button, 3 x Function Button, 1 x Home, 1 x Menu, 1 x Esc		
Power			
Battery	3.7V 3900mAh Hotswappable Function (Optional)	Battery Operating Time	20Hr
Power Rating	5V 2A	Adapter	5V 2A Adapter
Security Function			
SOTI MobiControl	SOTI MobiControl Compliance		
Accessory			
Accessory	Power Plug (Based on Customer's Country) Hand Strap Battery Micro SD Card	Optional Accessory	Charging Dock 2 bay Charging Dock 6 bay Battery Charging Dock 2 bay Battery Charging Dock 6 bay Micro USB Cable
Barcode Scanner			
Barcode Scanner	1D/2D Barcode Reader (Optional)		

DIMENSIONS UNIT:MM



NOTE

1. Total usable memory will be less dependent upon actual system configuration.
2. The barcode reader and front camera are mutually exclusive options.
3. Computrace theft protection is available upon request.
4. Length measurements do not include protrusions. Weight varies with options and a digitizer pen.
5. Measured at dimming LCD brightness. Varies depending on the usage conditions, or when an external device is attached.
6. Accessories and integrated options may vary depending on your configuration.
7. This is a simplified drawing, and some components are not marked in detail.
8. The product shown in this datasheet is a standard model. For diagrams that contain customized or optional I/O, please contact the Winmate Sales Team for more information.